

MT 1330 SL

SERIE 2

- Lift height : 13 m
- Lift capacity : 3000 kg
- Forward reach : 9.34 m
- Torque convertor transmission
 - Hydraulic stabilizers
 - Frame levelling



MANISCOPIE



PERKINS ENGINE 1000 SERIES CONFORMS TO EUROPEAN DIRECTIVE 97/68/EEC



MANITOU

MT 1330 SL



Lifting capacity 3000 kg
at 500 mm from forks heels.
Tipping load at maximum reach :1113 kg
Tear out force with toothed digging bucket
to ISO 8313-1986 with tilting ram7000 daN



Lifting height :13 m
Times : unladen / loaded (in s)
Lifting11.8/12.3
Lowering8.4/7.9
Simultaneous extension 1st and 2nd booms17/17
Simultaneous retraction 1st and 2nd booms14/13.5
Time unladen (in s)
Crowd4.75
Dump4.20



Tyres
15,5/80 - 24 12 PR SGI



Forks (mm)
Length1067
Width x thickness125 X 45
Maximum distance between forks1040
Carriage rotation124°



Multidisc brakes - hydraulically on 4 wheels



PERKINS Engine
Type1004.42/1004.4 Turbo
Capacity 4 cylindres - 4233 cm³/3990 cm³
Power (ISO/TR 14396) :81.5 HP/60 kw
at 2200 rpm Turbo :104 HP/76.5 kw
Maximum torque290 Nm at 1400 rpm
Turbo :394 Nm at 1400 rpm

Direct Injection
Water Cooling



TransmissionTorque convertor
Electro-hydraulic reversing shift
4 speeds forward and reverse
Maximum travel speed25 km/h



Hydraulics
Lifting/tilting pump
gear type260 bars/166 l/mn
Flow divider with priority to steering and brakes

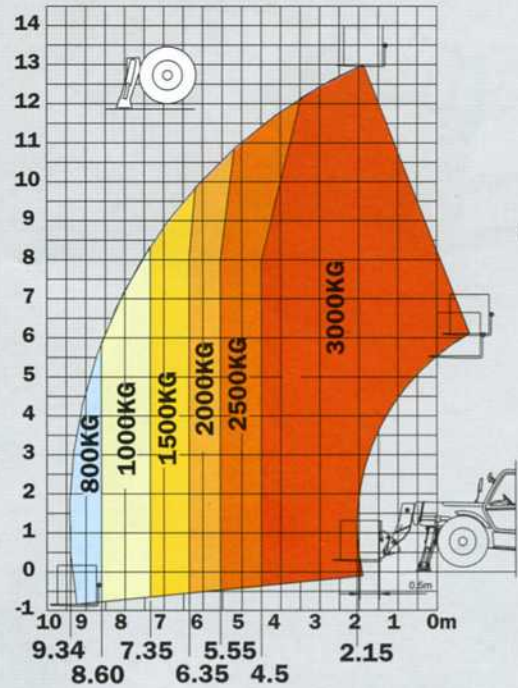


Capacities
Cooling system24.5 l. (Turbo 26.5 l.)
Engine oil10.5 l. (Turbo 11.5 l.)
Hydraulic oil120 l.
Transmission oil16 l.
Fuel tank135 l.



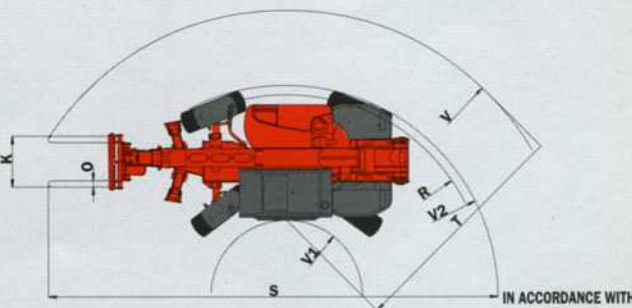
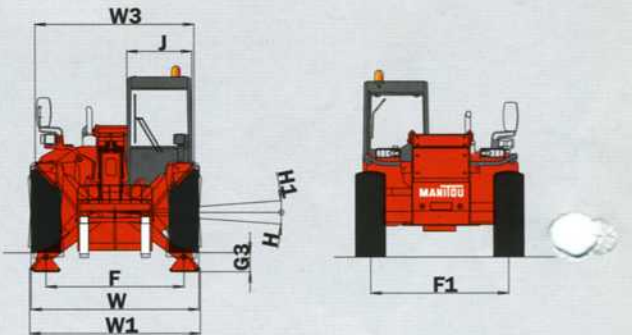
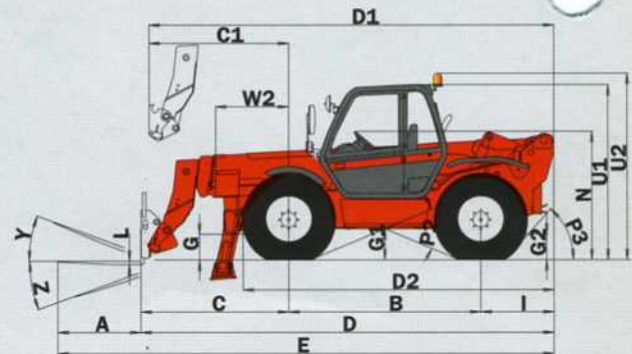
Weight unladen (with forks)9530 kg
Overall width2.36 m
Overall width stabilizers extended2.30 m
Overall height2.55 m
Turning radius (outside wheels)4.00 m
Overall length5.94 m
Ground clearance0.45 m
Drawbar pull7400 daN - Turbo 9200 daN

Reach at maximum height : 1.88 m



Under
EN 1459
annexe B

A	1200
B	2770
C	2120
C1	2010
D	5940
D1	5830
D2	4460
E	7140
F	1970
F1	1970
G	450
G1	445
G2	450
G3	275
H	4°or7%
H1	4°or7%
I	1050
J	950
K	1040
L	45
N	1850
O	125
P2	45.5°
P3	40°
R	3640
S	8720
T	4665
U1	2550
U2	2710
V	5600
V1	1320
V2	4000
W	2360
W1	2304
W2	1172
W3	2020
Y	12°
Z	112°



IN ACCORDANCE WITH



THE POWER OF IMAGINATION

MANITOU (SITE LIFT) Limited,

Ebbleke Industrial Estate, VERWOOD Dorset BH31 6BB

Telephone : (01202) 825331 - Fax : (01202) 813027

www.manitou.fr