

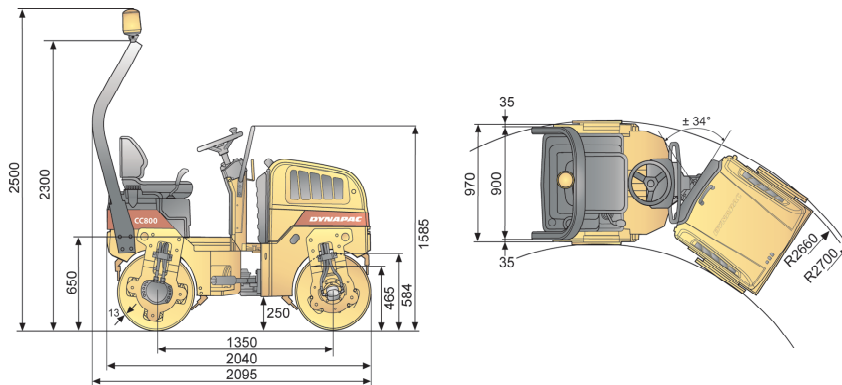
DYNAPAC

CC900

Tandem Asphalt Roller



Technical data



Masses (kg)

Operating mass (incl. ROPS)	1600
Drum module mass, front/rear	750/850

Traction

Speed range (km/h)	0 - 9
Vertical oscillation (°)	±7
Theor. gradeability (%)	40

Compaction

Static linear load, front/rear (kg/cm)	8,3/9,4
Nominal amplitude (mm)	0,4
Vibration frequency (Hz)	70
Centrifugal force per drum (kN)	17
Water tank (l)	110

Engine

Model	Perkins 403C-11
Type	Water cooled diesel
Rated power, SAE J1995, at 2600 rpm, kW (hp)	17 (23,5)
Fuel tank capacity (l)	23

Hydraulic system

Driving	Axial piston pump with variable displacement and servo. 2 radial piston motors with constant displacement.
Vibration	Gear pump/motors with constant displacement.
Steering	Gear pump with constant displacement.
Service brake	Hydrostatic in forward and reverse lever.
Parking/Emergency brake	Failsafe brake in both drums.

Find your local dealer at www.dynapac.com

We reserve the right to change specifications without notice. Photos and illustrations do not always show standard versions of machines. The above information is a general description only, all informations are supplied without liability.